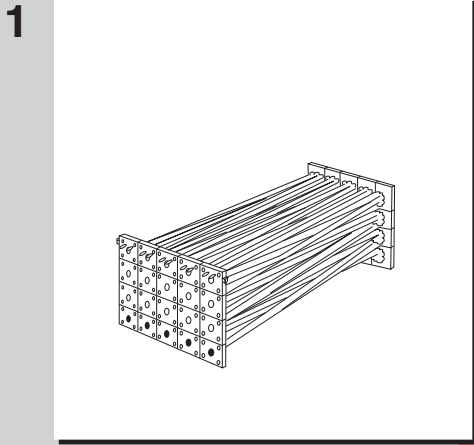
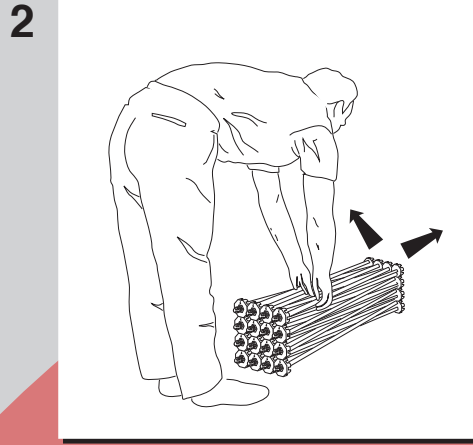


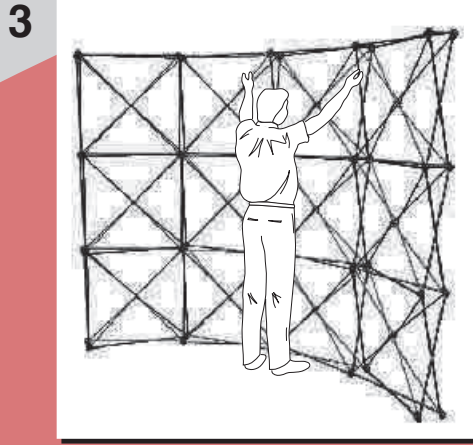
QUICK START INSTRUCTIONS



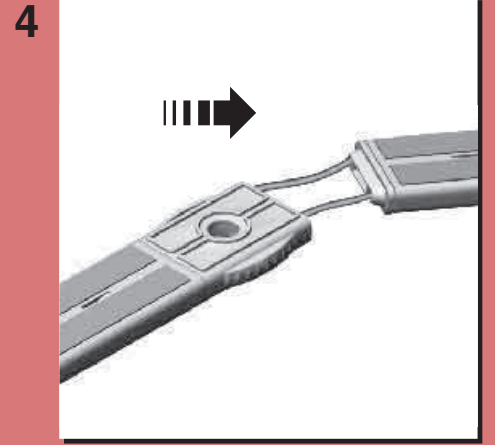
1 Remove frame from case and place on floor. Stand in front of unit with the yellow dots on bottom and facing you.



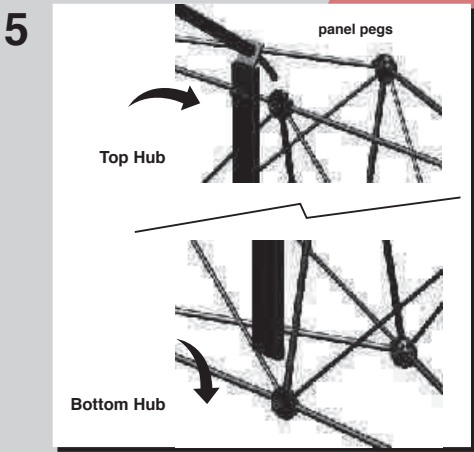
2 Grasp the upper ends of the frame and pull up and outward.



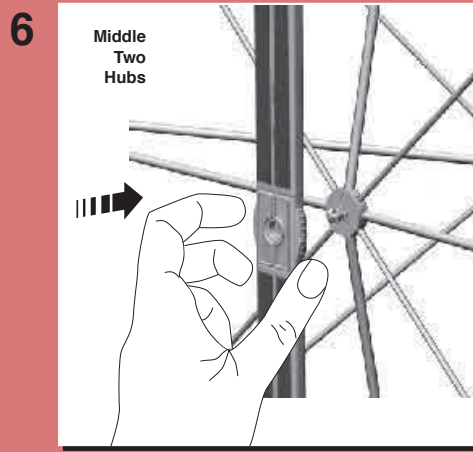
3 Continue pulling up and outward until the frame is fully expanded. The frame will want to pop into the fully open position once it has been partially expanded.



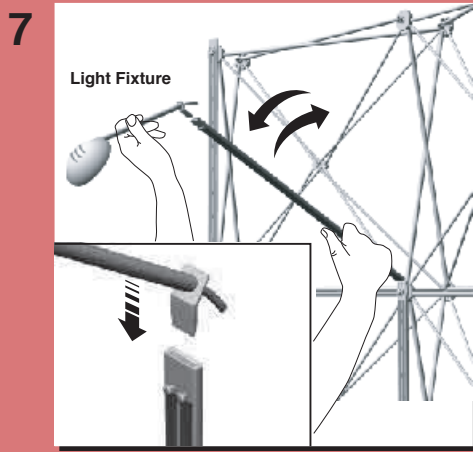
4 Connect each three-section channel bar assembly by inserting the sections that are pre-attached with bungee cords. By straightening out the channel bar assembly the bungee cords will automatically align the assembly.



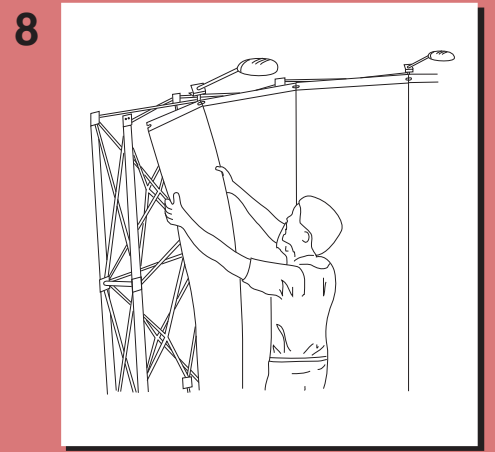
5 Place the channel bar assembly onto the frame by first attaching it to the top hub. Slide it onto the top hub, then slide the lower channel bar onto the bottom hub. Slide gently downward to engage.



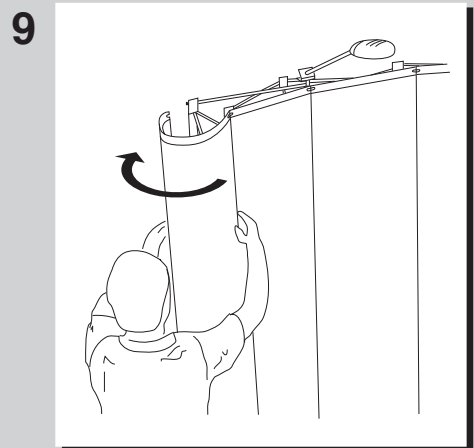
6 Attach the center sections of the channel bar assembly to the middle two hubs by pushing the channel bar assembly onto the hub. The bushing on the hub should engage through the hole in the connector assembly. Repeat for remaining channel bars at all panel locations.



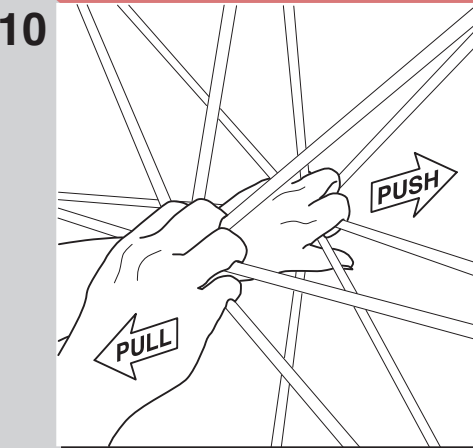
7 To attach light fixtures, first dis-engage the upper channel bar from the top hub and tilt downward. Push the light fixture down into the top of the channel bar. Tilt channel bar with light fixture back up and re-engage top hub. Drape cable over back of frame.



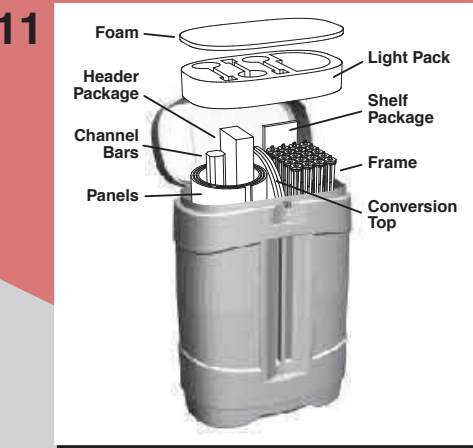
8 Grasp front panel 1/3 from the top. Lift panel and guide notches of plastic strip over the pegs in the top of the channel bar. Release the panel, allowing it to attach magnetically to the channel bar assembly. Straighten each panel by aligning it to the center of the channel bar slots.



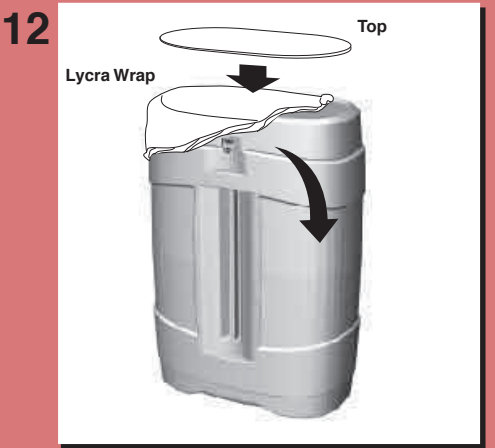
9 Lift the end panel and guide front notch of plastic strip over the front peg at top of channel bar. Hook other side on the panel peg at back of the frame. Slowly run your hands down sides of the panel, aligning magnetic strips to the channel bars and straightening as you go downward.



10 To close the frame, push and pull from the middle of the frame while grasping the hubs as shown. Once the frame starts to collapse, move hands away from the hubs to avoid pinching. Do not pull tubing alone.



11 To pack case, first roll up panels w/fabric (graphic) surface to inside and insert into left side of case. Slide counter top sections into center of case to act as a divider. Insert collapsed frame into right side of case. Place accessories as shown.



12 To convert the empty case into a counter, stretch the Lycra skirt over the case as shown and pull down to conceal the case. Place the counter top onto the wrapped case attaching it to the Velcro on the surface.